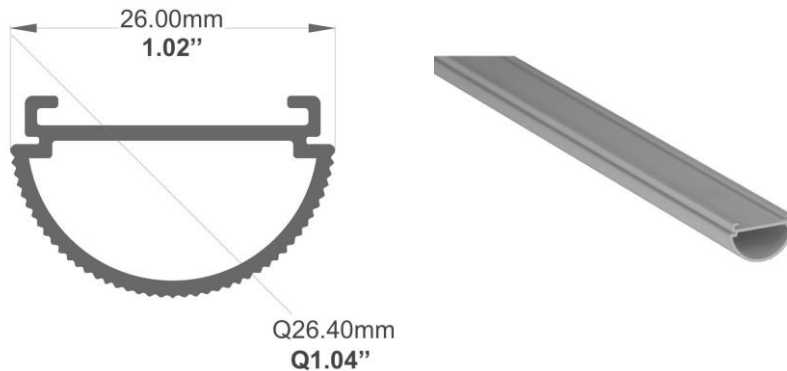


LED Profile 759



The **759** is a **round-shape** LED Channel compatible with **LED Strips up-to 20mm (0.79") wide**.

Type: **LED Channel**

Material: **Aluminum 6063-T5**

Surface: **Natural Anodised**

Height: **26.40mm / 1.04"**

Width: **26.00mm / 1.02"**

Length Availability

4ft (Actual Size 47") / 1.20m

8ft (Actual Size 94.5") / 2.40m

10ft (Actual Size 118") / 3.00m

Custom Lengths **up to 3.05m / 10ft**

*Diffusers, End Caps and Mounting Accessories must be ordered separately.

Code : **LGI-P759-X**

10Ft: X=10

8Ft: X=8

4Ft: X=4



All parts of this document are ownership of LGI. All rights reserved. This document and the included information are provided without any responsibility deriving from mistakes or omissions. No part of this document can be cut, reproduced or used without written authorization. LGI maintains the right to change the included data without notice due to improvements of the products.